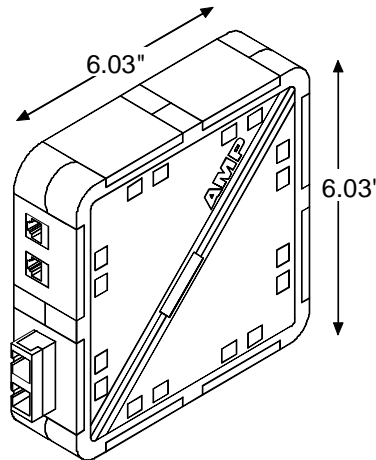


Surface Mount Outlet

557366-1



Description

The AMP surface mount outlet provides a convenient and aesthetically pleasing workstation outlet for mixed media such as twisted pair, coax, and optical fiber. Colored icons are available for port identification.

Specification

Surface mount outlets shall be capable of supporting up to 16 4-pair cables or optical fibers. Outlets shall provide integral fiber management rings. Outlets shall be light almond in color. Surface mount outlets shall be AMP part number 557366-1. Each surface mount outlet shall be provided with the inserts listed below.

Part Number	Description
557366-1	Surface mount outlet assembly top and bottom with 8 blank inserts
1116111-1	Duplex ST/SC insert (fiber receptacles not included)
557350-1	Dual ST bulkhead adapter with fiber receptacle
1116098-1	Single 110Connect, Toolless jack, or MT-RJ jack adapter
557775-1	Dual 110Connect, Toolless jack, or MT-RJ jack adapter
557772-1	F series jack-to-jack adapter
557352-1	BNC jack-to-jack adapter
557776-1	Dual BNC jack-to-jack adapter

Materials:

Enclosure - polycarbonate
Label cover - polycarbonate molding compound, clear
Screws - four 12-24 zinc plated carbon steel
Labels - white index paper

Packaging:

1 unit per carton

Approvals:

UL, CSA

Specifications subject to change without notice.

Revised 4/00.

In the U.S. 1-800-553-0938

Canada 905-475-6222

Mexico 525-729-0400

South and Central Americas 54-11-4733-2200

www.amp.com/networking

e-mail: networking.help@tycoelectronics.com

tyco

Electronics

